

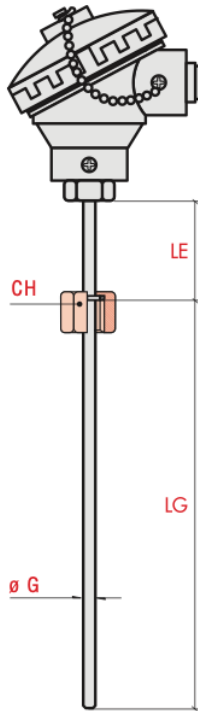


**NOKEN s.r.l.**  
 info@noken-it.com  
 www.noken-it.com

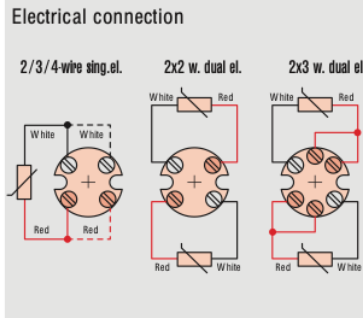
## Low pressure sensors with connection head

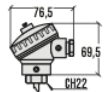
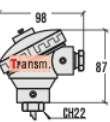
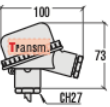
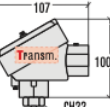


**H1** Straight RTD,  
**F3** 6mm and 8mm o.d.,  
 female rotating  
 attaching device



- RTD Pt100, Pt1000 Ohm@ 0 °C  
 - Range from -200 °C to +500 °C  
 - Tolerance class B or A as IEC751, 1/3, 1/5 or 1/10 DIN43760  
 - Number of wires: 2/3/4  
 - Simple insulation (standard) or Oxide Mineral Insulation MgO (to note it)  
 - Diameter from 3 mm to 8 mm (others on request)  
 - Sheath in AISI304 or AISI316 (others on request)  
 - Sheath length on request  
 - Aluminum head connection  
 - Inner connection with ceramic terminal block or temperature transmitter with 4/20 mA output  
 - Fix or sliding compression fittings in AISI for process interface



Connection head	Diameter ø G mm	Base code	Value in [ohm] at 0°C	Element N° and limits	Type of RTD	Sheath material	Sheath LG mm	Type of thread	Extension LE mm	
Miniat. IP67 	6	<b>F3 M60</b>	<b>P</b> Pt100 DIN - IEC	<b>0</b> 3-wire single el. Cl. B (1 DIN)	<b>0</b> 500°C	<b>B</b> AISI 316	<b>0100</b>	<b>I</b> 1/2" Gas - L16 CH-24	<b>02</b> 20	
	8	<b>F3 M80</b>								
Standard IP67, optional transmitter 	6	<b>F3 S60</b>	<b>X</b> Pt500 DIN - IEC	<b>1</b> 3-wire single el. Cl. A (1/2 DIN)	<b>1</b> 350°C		<b>0150</b>	<b>H</b> 3/8" Gas - L17 CH-19	<b>05</b> 50	
	8	<b>F3 S80</b>	<b>Y</b> Pt1000 DIN - IEC	<b>2</b> 3-wire single el. 1/3 DIN			<b>0200</b>	<b>J</b> 3/4" Gas - L16 CH-30	<b>08</b> 80	
	6 + T	<b>F3 T60</b>	<b>Z</b> Ni100 DIN - IEC	<b>3</b> 4-wire single el. Cl. A (1/2 DIN)				<b>0250</b>		
	8 + T	<b>F3 T80</b>		<b>4</b> 4-wire single el. 1/3 DIN				<b>0300</b>		
Nylon IP65, optional transmitter 	6	<b>F3 N60</b>		<b>5</b> 4-wire dual el. Cl. B (1 DIN)			<b>0350</b>			
	8	<b>F3 N80</b>		<b>6</b> 6-wire dual el. Cl. B (1 DIN)			<b>0400</b>			
	6 + T	<b>F3 Y60</b>		<b>7</b> 6-wire dual el. Cl. A (1/2 DIN)			<b>0450</b>			
EEx d IIB IP65, optional transmitter 	6	<b>F3 X60</b>		<b>8</b> 6-wire dual el. 1/3 DIN			<b>0500</b>			
	8	<b>F3 X80</b>								
	6 + T	<b>F3 U60</b>								
	8 + T	<b>F3 U80</b>								
							<b>L min 0050</b>			

Note: \* Transmitter for single element only

Note: other lengths on request for LG and LE. Code ex.: LG = 135mm Code 0135 / LE = 60mm Code 06

Reference model:

Straight RTD, standard head, 6mm sheath o.d., 3-wire Pt100 single element, B class (1 DIN), ceramic element, AISI 316 sheath, 100mm length, 1/2" Gas female compression fitting, 20mm extension.

**H1 F3 S60 - P 0 0 - B 0100 - I 02**

