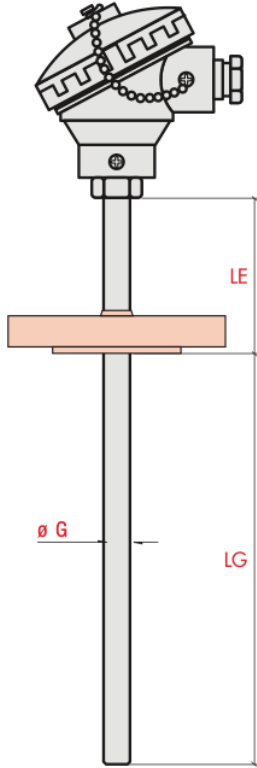




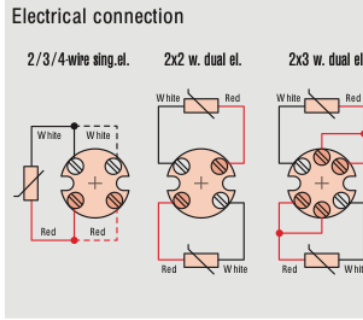
NOKEN s.r.l.
 info@noken-it.com
 www.noken-it.com

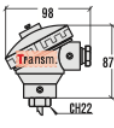
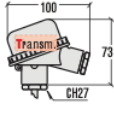
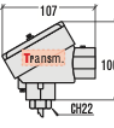
Sensors for medium pressures with replaceable insertion



F1 Straight RTD,
G5 10 and 13.5mm o.d.
 with connection head
 and flanged
 attaching device

- Range from -200 °C to +500 °C
- Nominal resistances from +0 °C to +100 °C, 1000 Ohm (others on request)
- Alfa 0,00385 o 0,00392
- IEC751, DIN 43760
- Tolerance class B or A, 1/3, 1/5 or 1/10 as DIN 43760
- Number of wires: 2/3/4
- Single or double element
- Diameters from 10 mm to 16 mm
- Sheath in AISI304 or AISI316 (other on request)



Connection head	Diameter* ø G mm	Base code	Value in [ohm] at 0°C	Element N° and limits	Type of RTD	Sheath material	Sheath LG mm	Type of flange	Extension LE mm
Standard IP67, optional transmitter ** 	10	G5 S10	P Pt100 DIN/IEC	0 3-wire single el. Cl. B (1 DIN)	0 500°C	B AISI 316	0100	A DN 25 PN 16	05 50
	13.5	G5 S13							
	10 + T	G5 T10							
	13.5 + T	G5 T13							
Nylon IP65, optional transmitter ** 	10	G5 N10	X Pt500 DIN/IEC	1 3-wire single el. Cl. A (1/2 DIN)	1 250°C			B DN 25 PN 40	08 80
	13.5	G5 N13	Y Pt1000 DIN/IEC	2 3-wire single el. 1/3 DIN					
	10 + T	G5 Y10	Z Ni100 DIN/IEC	3 4-wire single el. Cl. A (1/2 DIN)					
	13.5 + T	G5 Y13	4 4-wire single el. 1/3 DIN						
EEx d IIB IP65, optional transmitter ** 	10	G5 X10		5 4-wire dual Cl. B (1 DIN)				E 1" ANSI 150 RF	
	13.5	G5 X13		6 6-wire dual el. Cl. B (1 DIN)					
	10 + T	G5 U10		7 6-wire dual el. Cl. A (1/2 DIN)					
	13.5 + T	G5 U13		8 6-wire dual el. 1/3 DIN					
							L min 0080		

Note:
 * ø G = 10 insertion ø 6
 ø G = 13.5 insertion ø 8
 ** Transmitter for single element only

Note: other lengths on request for LG and LE. Code ex.: LG = 135mm Code 0135 / LE = 60mm Code 06

F1 G5 S10 - P 0 0 - B 0100 - A 05

